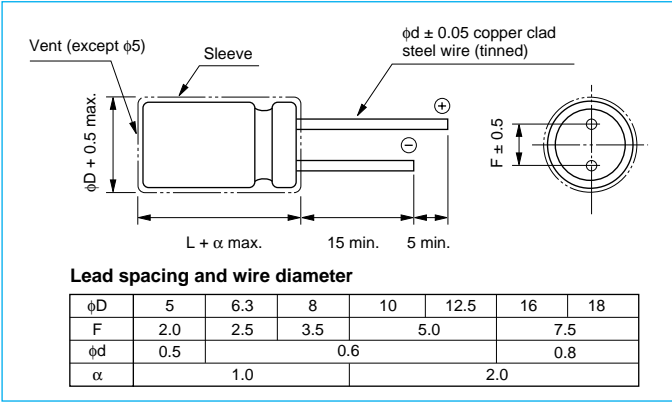


RSG Miniature Aluminum Electrolytic Capacitors

Series RSG Miniaturized, Long-Life, High Reliability

- Guaranteed for 5000 hours at 105°C. (2000 hours for case dia. 5 to 6.3 mm, 3000 hours for case dia. 8 to 10 mm).
- High-frequency low-impedance high-ripple.

Outline Drawing



Unit: mm

Photo



Specifications

• Advance Notice: Effective December 1998, the RSG Series will be replaced by the RJJ Series.

No.	Item	Performance																
1	Temperature range (°C)	-55 to +105																
2	Leakage current (μA)	Less than 0.01 CV +2 (after two minutes), C: Capacitance (μF), V: Voltage (V)																
3	Capacitance tolerance (%)	±20 (20°C, 120 Hz)																
4	Tangent of loss angle (tan δ)	<table border="1"> <thead> <tr> <th>Rated voltage (V)</th> <th>6.3</th> <th>10</th> <th>16</th> <th>25</th> <th>35</th> <th>50</th> <th>63</th> </tr> </thead> <tbody> <tr> <td>tan δ</td> <td>0.22</td> <td>0.19</td> <td>0.16</td> <td>0.14</td> <td>0.12</td> <td>0.10</td> <td>0.08</td> </tr> </tbody> </table> <p>0.02 is added to each 1000 μF increase over 1000 μF.</p>	Rated voltage (V)	6.3	10	16	25	35	50	63	tan δ	0.22	0.19	0.16	0.14	0.12	0.10	0.08
Rated voltage (V)	6.3	10	16	25	35	50	63											
tan δ	0.22	0.19	0.16	0.14	0.12	0.10	0.08											
5	Stability at low temperature	<table border="1"> <thead> <tr> <th>Rated voltage (V)</th> <th>6.3</th> <th>10 to 63</th> </tr> </thead> <tbody> <tr> <td>Capacitance: ΔC/C (-55°C/20°C)</td> <td>±30%</td> <td>±20%</td> </tr> <tr> <td>Imp. ratio: Z/Z (-55°C/20°C)</td> <td colspan="2">3 or less</td> </tr> </tbody> </table> <p>(120 Hz)</p>	Rated voltage (V)	6.3	10 to 63	Capacitance: ΔC/C (-55°C/20°C)	±30%	±20%	Imp. ratio: Z/Z (-55°C/20°C)	3 or less								
Rated voltage (V)	6.3	10 to 63																
Capacitance: ΔC/C (-55°C/20°C)	±30%	±20%																
Imp. ratio: Z/Z (-55°C/20°C)	3 or less																	
6	Endurance (105°C) (Applied ripple current)	<table border="1"> <tbody> <tr> <td>Test time</td> <td>5000 hrs (φ5 to φ6.3 2000 hrs, φ8 to φ10 3000 hrs)</td> </tr> <tr> <td>Leakage current</td> <td>Initial specified value or less</td> </tr> <tr> <td>Change in capacitance</td> <td>Within ±20% of initial value</td> </tr> <tr> <td>tan δ</td> <td>200% or less of the initial specified value</td> </tr> </tbody> </table>	Test time	5000 hrs (φ5 to φ6.3 2000 hrs, φ8 to φ10 3000 hrs)	Leakage current	Initial specified value or less	Change in capacitance	Within ±20% of initial value	tan δ	200% or less of the initial specified value								
Test time	5000 hrs (φ5 to φ6.3 2000 hrs, φ8 to φ10 3000 hrs)																	
Leakage current	Initial specified value or less																	
Change in capacitance	Within ±20% of initial value																	
tan δ	200% or less of the initial specified value																	
7	Max. storage temp. (105°C)	<table border="1"> <tbody> <tr> <td>Test time</td> <td>1000 hrs</td> </tr> <tr> <td>Leakage current</td> <td>Initial specified value or less</td> </tr> <tr> <td>Change in capacitance</td> <td>Within ±15% of initial value</td> </tr> <tr> <td>tan δ</td> <td>150% or less of the initial specified value</td> </tr> </tbody> </table> <p>Pretreatment performed (JIS C 5102).</p>	Test time	1000 hrs	Leakage current	Initial specified value or less	Change in capacitance	Within ±15% of initial value	tan δ	150% or less of the initial specified value								
Test time	1000 hrs																	
Leakage current	Initial specified value or less																	
Change in capacitance	Within ±15% of initial value																	
tan δ	150% or less of the initial specified value																	
8	Applicable Standards	JIS C 5102 and JIS C 5141.																

Coefficients of Frequency for Ripple Current

Capacitance (μF) \ Frequency (Hz)	120	1 k	10 k	100 k
0.47 to 4.7	0.40	0.68	0.78	1
5.6 to 47	0.50	0.76	0.87	1
56 to 270	0.70	0.85	0.90	1
330 to 1000	0.80	0.93	0.98	1
1200 to 15000	0.90	0.95	1	1

Coefficients of Temperature for Ripple Current

Temperature (°C)	+70 or less	+85	+105
Coefficients	1.96	1.68	1

Radial Type
RSG

RSG Miniature Aluminum Electrolytic Capacitors

Standard Ratings

(mm)

WV(V) Cap.(µF)	6.3	10	16	25	35	50	63
0.47						5 x 11.5	
1						5 x 11.5	
2.2						5 x 11.5	
3.3						5 x 11.5	
4.7						5 x 11.5	
10						5 x 11.5	
12							5 x 11.5
18						5 x 11.5	5 x 15
27					5 x 11.5	5 x 11.5	6.3 x 11.5
39				5 x 11.5	5 x 15	6.3 x 11.5	6.3 x 15
47							8 x 12
56			5 x 11.5	5 x 15	6.3 x 11.5	6.3 x 15	10 x 12.5
68						8 x 12	8 x 15 / 10 x 16
82		5 x 11.5	5 x 15	6.3 x 11.5	6.3 x 15	8 x 15 / 10 x 12.5	8 x 20
100					8 x 12	10 x 16	
120	5 x 11.5	5 x 15	6.3 x 11.5	6.3 x 15	10 x 12.5	8 x 20	10 x 20
150	5 x 15			8 x 12	8 x 15		10 x 25 / 12.5 x 15
180		6.3 x 11.5	6.3 x 15	10 x 12.5	10 x 16	10 x 20 / 12.5 x 15	10 x 30
220	6.3 x 11.5		8 x 12	8 x 15	8 x 20	10 x 25	12.5 x 20 / 16 X15
270		6.3 x 15	10 x 12.5	8 x 20 / 10 x 16			12.5 x 25
330	6.3 x 15	8 x 12	8 x 15		10 x 20 / 12.5 x 15	10 x 30 / 12.5 x 20 / 16 x 15	18 x 15
390	8 x 12	10 x 12.5	10 x 16		10 x 25		12.5 x 30 / 16 x 20
470	10 x 12.5	8 x 15	8 x 20	10 x 20 / 12.5 x 15	10 x 30	12.5 x 25 / 18 X15	12.5 x 35 / 16 x 25
560	8 x 15	8 x 20 / 10 x 16		10 x 25	12.5 x 20 / 16 x 15	12.5 x 30	12.5 x 40 / 18 x 20
680	10 x 16		10 x 20 / 12.5 x 15	10 x 30	12.5 x 25	12.5 x 35 / 16 x 20	16 x 31.5 / 18 x 25
820	8 x 20	10 x 20	10 x 25	12.5 x 20 / 16 x 15	18 x 15	12.5 x 40 / 16 x 25 / 18 x 20	16 x 35.5 / 18 x 31.5
1000		12.5 x 15	10 x 30	12.5 x 25	12.5 x 30 / 16 x 20	16 x 31.5 / 18 x 25	16 x 40 / 18 x 35.5
1200	10 x 20 / 12.5 x 15	10 x 25	12.5 x 20 / 16 x 15	18 x 15	12.5 x 35 / 16 x 25	16 x 35.5	18 x 40
1500	10 x 25	10 x 30 / 16 x 15	12.5 x 25 / 18 x 15	12.5 x 30 / 16 x 20	12.5 x 40 / 18 x 20	16 x 40 / 18 x 31.5	
1800		12.5 x 20		12.5 x 35 / 16 x 25	16 x 31.5 / 18 x 25	18 x 35.5	
2200	10 x 30 / 12.5 x 20 / 16 x 15	12.5 x 25 / 18 x 15	12.5 x 30 / 16 x 20	12.5 x 40 / 18 x 20	16 x 35.5 / 18 x 31.5	18 x 40	
2700	12.5 x 25	12.5 x 30	12.5 x 35 / 16 x 25	16 x 31.5 / 18 x 25	16 x 40 / 18 x 35.5		
3300	18 x 15	12.5 x 35 / 16 x 20	12.5 x 40 / 18 x 20	16 x 35.5 / 18 x 31.5	18 x 40		
3900	12.5 x 30 / 16 x 20	12.5 x 40 / 16 x 25 / 18 x 20	16 x 31.5 / 18 x 25	16 x 40 / 18 x 35.5			
4700	12.5 x 35	16 x 31.5 / 18 x 25	16 x 35.5 / 18 x 31.5	18 x 40			
5600	12.5 x 40 / 16 x 25 / 18 x 20		16 x 40				
6800	16 x 31.5 / 18 x 25	16 x 35.5 / 18 x 31.5	18 x 35.5				
8200	16 x 35.5	16 x 40 / 18 x 35.5	18 x 40				
10000	16 x 40 / 18 x 31.5	18 x 40					
12000	18 x 35.5						
15000	18 x 40						

Radial Type

RSG

RSG Miniature Aluminum Electrolytic Capacitors

Standard Ratings

ELNA PART NO. / WV (V)	CAP. (μF)	SIZE (φ x L) (mm)	tan δ	IMPEDANCE (Ω)		Rip Cur. (mArms)
				20°C	-10°C	
6.3 V						
RSG-6V121MS21	120	5 x 11.5	0.22	1.2	3.0	175
RSG-6V151MS22	150	5 x 15	0.22	0.90	2.3	235
RSG-6V221MS31	220	6.3 x 11.5	0.22	0.60	1.5	290
RSG-6V331MS32	330	6.3 x 15	0.22	0.40	1.0	400
RSG-6V391MS41	390	8 x 12	0.22	0.34	0.85	488
RSG-6V561MS42	560	8 x 15	0.22	0.24	0.60	617
RSG-6V821MS43	820	8 x 20	0.22	0.19	0.48	800
RSG-6V471MS51	470	10 x 12.5	0.22	0.27	0.68	613
RSG-6V681MS52	680	10 x 16	0.22	0.21	0.53	734
RSG-6V122MS53	1200	10 x 20	0.22	0.12	0.30	1010
RSG-6V152MS54	1500	10 x 25	0.22	0.10	0.25	1190
RSG-6V222MS55	2200	10 x 30	0.24	0.092	0.23	1440
RSG-6V122MS61	1200	12.5 x 15	0.22	0.12	0.30	1010
RSG-6V222MS62	2200	12.5 x 20	0.24	0.084	0.21	1400
RSG-6V272MS63	2700	12.5 x 25	0.24	0.070	0.18	1690
RSG-6V392MS64	3900	12.5 x 30	0.26	0.063	0.16	1950
RSG-6V472MS65	4700	12.5 x 35	0.28	0.052	0.13	2220
RSG-6V562MS66	5600	12.5 x 40	0.30	0.045	0.11	2390
RSG-6V222MS71	2200	16 x 15	0.24	0.090	0.23	1310
RSG-6V392MS72	3900	16 x 20	0.26	0.070	0.18	1660
RSG-6V562MS73	5600	16 x 25	0.30	0.060	0.15	2070
RSG-6V682MS74	6800	16 x 31.5	0.32	0.044	0.11	2350
RSG-6V822MS75	8200	16 x 35.5	0.36	0.040	0.10	2550
RSG-6V103MS76	10000	16 x 40	0.38	0.032	0.080	2970
RSG-6V332MS81	3300	18 x 15	0.26	0.075	0.19	1460
RSG-6V562MS82	5600	18 x 20	0.30	0.060	0.15	1850
RSG-6V682MS83	6800	18 x 25	0.32	0.050	0.13	2120
RSG-6V103MS84	10000	18 x 31.5	0.38	0.043	0.11	2410
RSG-6V123MS85	12000	18 x 35.5	0.42	0.034	0.085	2680
RSG-6V153MS86	15000	18 x 40	0.48	0.029	0.073	3010
10 V						
RSG-10V820MS21	82	5 x 11.5	0.19	1.2	3.0	175
RSG-10V123MS22	120	5 x 15	0.19	0.90	2.3	235
RSG-10V181MS31	180	6.3 x 11.5	0.19	0.59	1.5	290
RSG-10V271MS32	270	6.3 x 15	0.19	0.40	1.0	400
RSG-10V331MS41	330	8 x 12	0.19	0.33	0.83	490

ELNA PART NO. / WV (V)	CAP. (μF)	SIZE (φ x L) (mm)	tan δ	IMPEDANCE (Ω)		Rip Cur. (mArms)
				20°C	-10°C	
RSG-10V471MS42	470	8 x 15	0.19	0.24	0.60	575
RSG-10V561MS43	560	8 x 20	0.19	0.18	0.45	807
RSG-10V391MS51	390	10 x 12.5	0.19	0.25	0.63	620
RSG-10V561MS52	560	10 x 16	0.19	0.21	0.53	795
RSG-10V821MS53	820	10 x 20	0.19	0.12	0.30	1010
RSG-10V122MS54	1200	10 x 25	0.19	0.10	0.25	1190
RSG-10V152MS55	1500	10 x 30	0.19	0.090	0.23	1440
RSG-10V102MS61	1000	12.5 x 15	0.19	0.12	0.30	1010
RSG-10V182MS62	1800	12.5 x 20	0.19	0.083	0.21	1400
RSG-10V222MS63	2200	12.5 x 25	0.21	0.067	0.17	1690
RSG-10V272MS64	2700	12.5 x 30	0.21	0.062	0.16	1950
RSG-10V332MS65	3300	12.5 x 35	0.23	0.050	0.13	2200
RSG-10V392MS66	3900	12.5 x 40	0.23	0.043	0.11	2390
RSG-10V152MS71	1500	16 x 15	0.19	0.090	0.23	1320
RSG-10V332MS72	3300	16 x 20	0.23	0.070	0.18	1730
RSG-10V392MS73	3900	16 x 25	0.23	0.060	0.15	2070
RSG-10V472MS74	4700	16 x 31.5	0.25	0.043	0.11	2280
RSG-10V682MS75	6800	16 x 35.5	0.29	0.037	0.093	2550
RSG-10V822MS76	8200	16 x 40	0.33	0.031	0.078	2900
RSG-10V222MS81	2200	18 x 15	0.21	0.075	0.19	1480
RSG-10V392MS82	3900	18 x 20	0.23	0.060	0.15	1860
RSG-10V472MS83	4700	18 x 25	0.25	0.049	0.12	2150
RSG-10V682MS84	6800	18 x 31.5	0.29	0.041	0.10	2440
RSG-10V822MS85	8200	18 x 35.5	0.33	0.032	0.080	2700
RSG-10V103MS86	10000	18 x 40	0.35	0.029	0.073	3030
16 V						
RSG-16V560MS21	56	5 x 11.5	0.16	1.2	3.0	175
RSG-16V820MS22	82	5 x 15	0.16	0.89	2.2	235
RSG-16V121MS31	120	6.3 x 11.5	0.16	0.58	1.5	290
RSG-16V181MS32	180	6.3 x 15	0.16	0.40	1.0	400
RSG-16V221MS41	220	8 x 12	0.16	0.33	0.83	501
RSG-16V331MS42	330	8 x 15	0.16	0.24	0.60	575
RSG-16V471MS43	470	8 x 20	0.16	0.18	0.45	760
RSG-16V271MS51	270	10 x 12.5	0.16	0.25	0.63	625
RSG-16V391MS52	390	10 x 16	0.16	0.20	0.50	795
RSG-16V681MS53	680	10 x 20	0.16	0.12	0.30	1010
RSG-16V821MS54	820	10 x 25	0.16	0.10	0.25	1190

Note: Impedance 100 kHz
Allowable Ripple Current 100 kHz at 105°C

Standard Ratings

ELNA PART NO. / WV (V)	CAP. (µF)	SIZE (φ x L) (mm)	tan δ	IMPEDANCE (Ω)		Rip Cur. (mAmps)
				20°C	-10°C	
RSG-16V102MS55	1000	10 x 30	0.16	0.088	0.22	1430
RSG-16V681MS61	680	12.5 x 15	0.16	0.12	0.30	1010
RSG-16V122MS62	1200	12.5 x 20	0.16	0.082	0.21	1400
RSG-16V152MS63	1500	12.5 x 25	0.16	0.063	0.16	1690
RSG-16V222MS64	2200	12.5 x 30	0.18	0.060	0.15	1950
RSG-16V272MS65	2700	12.5 x 35	0.18	0.049	0.12	2200
RSG-16V332MS66	3300	12.5 x 40	0.20	0.043	0.11	2390
RSG-16V122MS71	1200	16 x 15	0.16	0.088	0.22	1340
RSG-16V222MS72	2200	16 x 20	0.18	0.064	0.16	1730
RSG-16V272MS73	2700	16 x 25	0.18	0.056	0.14	2070
RSG-16V392MS74	3900	16 x 31.5	0.20	0.043	0.11	2350
RSG-16V472MS75	4700	16 x 35.5	0.22	0.037	0.093	2550
RSG-16V562MS76	5600	16 x 40	0.24	0.029	0.073	2900
RSG-16V152MS81	1500	18 x 15	0.16	0.070	0.18	1490
RSG-16V332MS82	3300	18 x 20	0.20	0.060	0.15	1870
RSG-16V392MS83	3900	18 x 25	0.20	0.047	0.12	2160
RSG-16V472MS84	4700	18 x 31.5	0.22	0.041	0.10	2450
RSG-16V682MS85	6800	18 x 35.5	0.26	0.031	0.078	2730
RSG-16V822MS86	8200	18 x 40	0.30	0.027	0.068	3060
25 V						
RSG-25V390MS21	39	5 x 11.5	0.14	1.2	3.0	175
RSG-25V560MS22	56	5 x 15	0.14	0.88	2.2	235
RSG-25V820MS31	82	6.3 x 11.5	0.14	0.57	1.4	290
RSG-25V121MS32	120	6.3 x 15	0.14	0.40	1.0	400
RSG-25V151MS41	150	8 x 12	0.14	0.33	0.83	503
RSG-25V221MS42	220	8 x 15	0.14	0.23	0.58	575
RSG-25V271MS43	270	8 x 20	0.14	0.18	0.45	751
RSG-25V181MS51	180	10 x 12.5	0.14	0.24	0.60	629
RSG-25V271MS52	270	10 x 16	0.14	0.20	0.50	795
RSG-25V471MS53	470	10 x 20	0.14	0.12	0.30	1010
RSG-25V561MS54	560	10 x 25	0.14	0.10	0.25	1190
RSG-25V681MS55	680	10 x 30	0.14	0.085	0.21	1440
RSG-25V471MS61	470	12.5 x 15	0.14	0.12	0.30	1010
RSG-25V821MS62	820	12.5 x 20	0.14	0.080	0.20	1400
RSG-25V102MS63	1000	12.5 x 25	0.14	0.062	0.16	1690
RSG-25V152MS64	1500	12.5 x 30	0.14	0.057	0.14	1950
RSG-25V182MS65	1800	12.5 x 35	0.14	0.048	0.12	2200

ELNA PART NO. / WV (V)	CAP. (µF)	SIZE (φ x L) (mm)	tan δ	IMPEDANCE (Ω)		Rip Cur. (mAmps)
				20°C	-10°C	
RSG-25V222MS66	2200	12.5 x 40	0.16	0.042	0.11	2390
RSG-25V821MS71	820	16 x 15	0.14	0.086	0.22	1360
RSG-25V152MS72	1500	16 x 20	0.14	0.063	0.16	1730
RSG-25V182MS73	1800	16 x 25	0.14	0.054	0.14	2070
RSG-25V272MS74	2700	16 x 31.5	0.16	0.041	0.10	2350
RSG-25V332MS75	3300	16 x 35.5	0.18	0.036	0.090	2550
RSG-25V392MS76	3900	16 x 40	0.18	0.029	0.073	2900
RSG-25V122MS81	1200	18 x 15	0.14	0.070	0.18	1500
RSG-25V222MS82	2200	18 x 20	0.16	0.060	0.15	1890
RSG-25V272MS83	2700	18 x 25	0.16	0.045	0.11	2180
RSG-25V332MS84	3300	18 x 31.5	0.18	0.040	0.10	2470
RSG-25V392MS85	3900	18 x 35.5	0.18	0.031	0.078	2740
RSG-25V472MS86	4700	18 x 40	0.20	0.027	0.068	3070
35 V						
RSG-35V270MS21	27	5 x 11.5	0.12	1.2	3.0	175
RSG-35V390MS22	39	5 x 15	0.12	0.86	2.2	235
RSG-35V560MS31	56	6.3 x 11.5	0.12	0.57	1.4	290
RSG-35V820MS32	82	6.3 x 15	0.12	0.39	0.98	400
RSG-35V101MS41	100	8 x 12	0.12	0.32	0.80	506
RSG-35V151MS42	150	8 x 15	0.12	0.23	0.58	637
RSG-35V221MS43	220	8 x 20	0.12	0.18	0.45	760
RSG-35V121MS51	120	10 x 12.5	0.12	0.24	0.60	634
RSG-35V181MS52	180	10 x 16	0.12	0.20	0.50	795
RSG-35V331MS53	330	10 x 20	0.12	0.12	0.30	1010
RSG-35V391MS54	390	10 x 25	0.12	0.10	0.25	1190
RSG-35V471MS55	470	10 x 30	0.12	0.084	0.21	1450
RSG-35V331MS61	330	12.5 x 15	0.12	0.12	0.30	1010
RSG-35V561MS62	560	12.5 x 20	0.12	0.077	0.19	1400
RSG-35V681MS63	680	12.5 x 25	0.12	0.061	0.15	1690
RSG-35V102MS64	1000	12.5 x 30	0.12	0.056	0.14	1950
RSG-35V122MS65	1200	12.5 x 35	0.12	0.046	0.12	2200
RSG-35V152MS66	1500	12.5 x 40	0.12	0.041	0.10	2390
RSG-35V561MS71	560	16 x 15	0.12	0.083	0.21	1360
RSG-35V102MS72	1000	16 x 20	0.12	0.061	0.15	1730
RSG-35V122MS73	1200	16 x 25	0.12	0.052	0.13	2070
RSG-35V182MS74	1800	16 x 31.5	0.12	0.039	0.098	2350
RSG-35V222MS75	2200	16 x 35.5	0.14	0.034	0.085	2550

Note: Impedance 100 kHz
Allowable Ripple Current 100 kHz at 105°C

Radial Type
RSG

RSG Miniature Aluminum Electrolytic Capacitors

Standard Ratings

ELNA PART NO. / WV (V)	CAP. (µF)	SIZE (φ x L) (mm)	tan δ	IMPEDANCE (Ω)		Rip Cur. (mAmps)
				20°C	-10°C	
RSG-35V272MS76	2700	16 x 40	0.14	0.027	0.068	2900
RSG-35V821MS81	820	18 x 15	0.12	0.066	0.17	1520
RSG-35V152MS82	1500	18 x 20	0.12	0.053	0.13	1900
RSG-35V182MS83	1800	18 x 25	0.12	0.043	0.11	2200
RSG-35V222MS84	2200	18 x 31.5	0.14	0.038	0.095	2490
RSG-35V272MS85	2700	18 x 35.5	0.14	0.029	0.073	2770
RSG-35V332MS86	3300	18 x 40	0.16	0.025	0.063	3110
50 V						
RSG-50VR47MS21	0.47	5 x 11.5	0.10	8.2	25	18
RSG-50V010MS21	1	5 x 11.5	0.10	7.3	22	28
RSG-50V2R2MS21	2.2	5 x 11.5	0.10	6.3	19	42
RSG-50V3R3MS21	3.3	5 x 11.5	0.10	5.4	16	52
RSG-50V4R7MS21	4.7	5 x 11.5	0.10	4.6	14	65
RSG-50V100MS21	10	5 x 11.5	0.10	2.9	8.7	94
RSG-50V180MS21	18	5 x 11.5	0.10	2.0	6.0	120
RSG-50V270MS22	27	5 x 15	0.10	1.4	4.2	135
RSG-50V390MS31	39	6.3 x 11.5	0.10	1.2	3.6	148
RSG-50V560MS32	56	6.3 x 15	0.10	0.62	1.9	153
RSG-50V680MS41	68	8 x 12	0.10	0.53	1.6	360
RSG-50V820MS42	82	8 x 15	0.10	0.35	1.1	460
RSG-50V121MS43	120	8 x 20	0.10	0.22	0.66	670
RSG-50V820MS51	82	10 x 12.5	0.10	0.47	1.4	443
RSG-50V101MS52	100	10 x 16	0.10	0.33	0.99	553
RSG-50V181MS53	180	10 x 20	0.10	0.26	0.78	676
RSG-50V221MS54	220	10 x 25	0.10	0.19	0.57	876
RSG-50V331MS55	330	10 x 30	0.10	0.16	0.48	1010
RSG-50V181MS61	180	12.5 x 15	0.10	0.18	0.54	745
RSG-50V331MS62	330	12.5 x 20	0.10	0.13	0.39	979
RSG-50V471MS63	470	12.5 x 25	0.10	0.11	0.33	1180
RSG-50V561MS64	560	12.5 x 30	0.10	0.081	0.24	1310
RSG-50V681MS65	680	12.5 x 35	0.10	0.067	0.20	1470
RSG-50V821MS66	820	12.5 x 40	0.10	0.058	0.17	1590
RSG-50V331MS71	330	16 x 15	0.10	0.13	0.39	982
RSG-50V681MS72	680	16 x 20	0.10	0.11	0.33	1210
RSG-50V821MS73	820	16 x 25	0.10	0.081	0.24	1490
RSG-50V102MS74	1000	16 x 31.5	0.10	0.059	0.18	1890
RSG-50V122MS75	1200	16 x 35.5	0.10	0.052	0.16	2140
RSG-50V152MS76	1500	16 x 40	0.10	0.045	0.14	2410

ELNA PART NO. / WV (V)	CAP. (µF)	SIZE (φ x L) (mm)	tan δ	IMPEDANCE (Ω)		Rip Cur. (mAmps)
				20°C	-10°C	
RSG-50V471MS81	470	18 x 15	0.10	0.12	0.36	1180
RSG-50V821MS82	820	18 x 20	0.10	0.083	0.25	1450
RSG-50V102MS83	1000	18 x 25	0.10	0.071	0.21	1720
RSG-50V152MS84	1500	18 x 31.5	0.10	0.059	0.18	1970
RSG-50V182MS85	1800	18 x 35.5	0.10	0.055	0.17	2310
RSG-50V222MS86	2200	18 x 40	0.12	0.042	0.13	2530
63 V						
RSG-63V120MS21	12	5 x 11.5	0.08	2.0	6.0	120
RSG-63V180MS22	18	5 x 15	0.08	1.4	4.2	135
RSG-63V270MS31	27	6.3 x 11.5	0.08	1.2	3.6	148
RSG-63V390MS32	39	6.3 x 15	0.08	0.62	1.9	153
RSG-63V470MS41	47	8 x 12	0.08	0.53	1.6	360
RSG-63V680MS42	68	8 x 15	0.08	0.34	1.0	469
RSG-63V820MS43	82	8 x 20	0.08	0.21	0.63	682
RSG-63V560MS51	56	10 x 12.5	0.08	0.46	1.4	448
RSG-63V680MS52	68	10 x 16	0.08	0.32	0.96	553
RSG-63V124MS53	120	10 x 20	0.08	0.25	0.75	676
RSG-63V151MS54	150	10 x 25	0.08	0.18	0.54	876
RSG-63V181MS55	180	10 x 30	0.08	0.15	0.45	1020
RSG-63V151MS61	150	12.5 x 15	0.08	0.18	0.54	745
RSG-63V221MS62	220	12.5 x 20	0.08	0.12	0.36	979
RSG-63V271MS63	270	12.5 x 25	0.08	0.10	0.30	1180
RSG-63V391MS64	390	12.5 x 30	0.08	0.080	0.24	1310
RSG-63V471MS65	470	12.5 x 35	0.08	0.066	0.20	1470
RSG-63V561MS66	560	12.5 x 40	0.08	0.057	0.17	1590
RSG-63V221MS71	220	16 x 15	0.08	0.13	0.39	982
RSG-63V391MS72	390	16 x 20	0.08	0.11	0.33	1210
RSG-63V471MS73	470	16 x 25	0.08	0.080	0.24	1490
RSG-63V681MS74	680	16 x 31.5	0.08	0.058	0.17	1890
RSG-63V821MS75	820	16 x 35.5	0.08	0.051	0.15	2140
RSG-63V102MS76	1000	16 x 40	0.08	0.044	0.13	2410
RSG-63V331MS81	330	18 x 15	0.08	0.12	0.36	1200
RSG-63V561MS82	560	18 x 20	0.08	0.082	0.25	1460
RSG-63V681MS83	680	18 x 25	0.08	0.070	0.21	1740
RSG-63V821MS84	820	18 x 31.5	0.08	0.058	0.17	1990
RSG-63V102MS85	1000	18 x 35.5	0.08	0.054	0.16	2340
RSG-63V122MS86	1200	18 x 40	0.08	0.041	0.21	2560

Note: Impedance 100 kHz
Allowable Ripple Current 100 kHz at 105°C

Radial Type

RSG